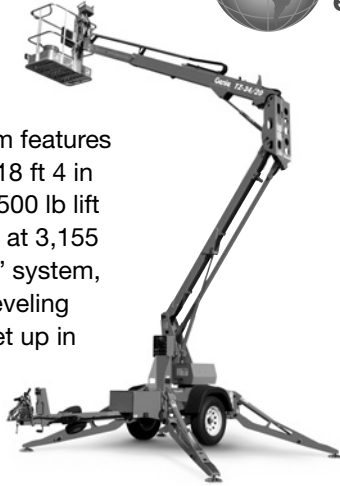




**The Genie®
TZ™-34/20**

Trailer-Mounted Z-Boom features a 40 ft working height, 18 ft 4 in horizontal reach, up to 500 lb lift capacity, and weighs in at 3,155 lb. With a “self-leveling” system, it provides 11-degree leveling capability and allows set up in less than 40 seconds.



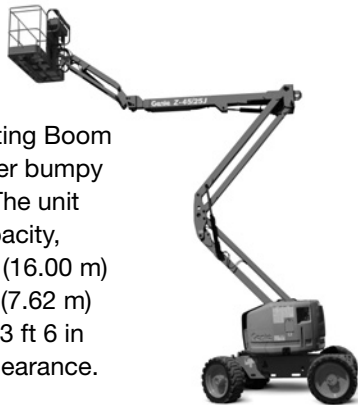
The Genie® GS™-2032

Self-Propelled Electric Scissor Lift boasts a narrow profile, 2 ft 8 in (0.81 m), and 7 ft (2.13 m) turning radius, allowing it to easily fit through standard doorways. The unit achieves a working height of 26 ft (8.10 m), an 800-lb (363 kg) lift capacity and 30% gradeability.



**The Genie®
Z™-45/25 RT**

Self-Propelled Articulating Boom is ideal for traveling over bumpy ground to a worksite. The unit boasts a 500-lb lift capacity, and offers a 51 ft 11 in (16.00 m) working height, a 25 ft (7.62 m) working height and a 23 ft 6 in (7.16 m) up and over clearance.



**The Genie®
Superlift™ Advantage**

A compact material lift with multiple base and load handling options to meet contractors’ specific lifting needs. The unit handles 800-lb (363 kg) loads up to 21 ft 2.5 in (6.46 m).



**The Genie®
GTH™-5519 Telehandler**

Meets the needs of construction, masonry, landscape and farming applications with a variety of attachments. The unit has lift capacity of 5,500 lbs (2,500 kg), a lift height of 19 ft (5.79 m), a forward reach of 11 ft (3.35 m) and an operating weight of 9,800 lbs (4,450 kg).



The Genie® AWP™ Super Series

Offers lightweight maneuverability and a durable design for a wide variety of rental, light-duty construction and maintenance applications. The unit has a lift capacity of 350 lbs (159 kg) to a working height of 26 ft 1 in (8.12 m).



The Genie® GS™-3268 RT

Self-Propelled Scissor Lift come with four-wheel drive and positive traction control, which allows it to traverse through rough terrain. The unit works to a height of 38 ft (11.75 m) with a 1,000-lb (454 kg) lift capacity and can work at 35% gradeability. It has a 5 ft 8 in (1.73 m) profile and 12 ft 1 in (3.68 m) turning radius.



Genie®
A TEREX BRAND

Genie is a registered trademark of Genie Industries, Inc. in the U.S.A. and many other countries. Genie is a Terex Company. Terex is a registered trademark of Terex Corporation in the United States of America and many other countries. © 2010 Terex Corporation